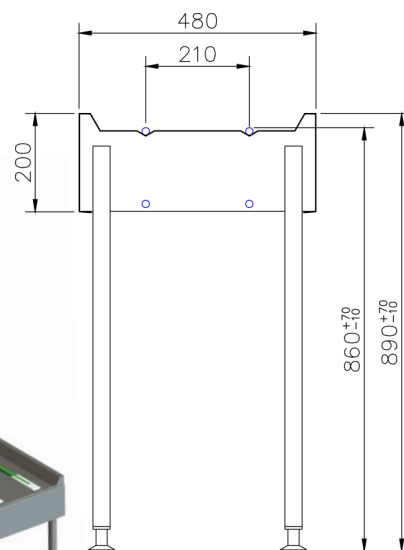
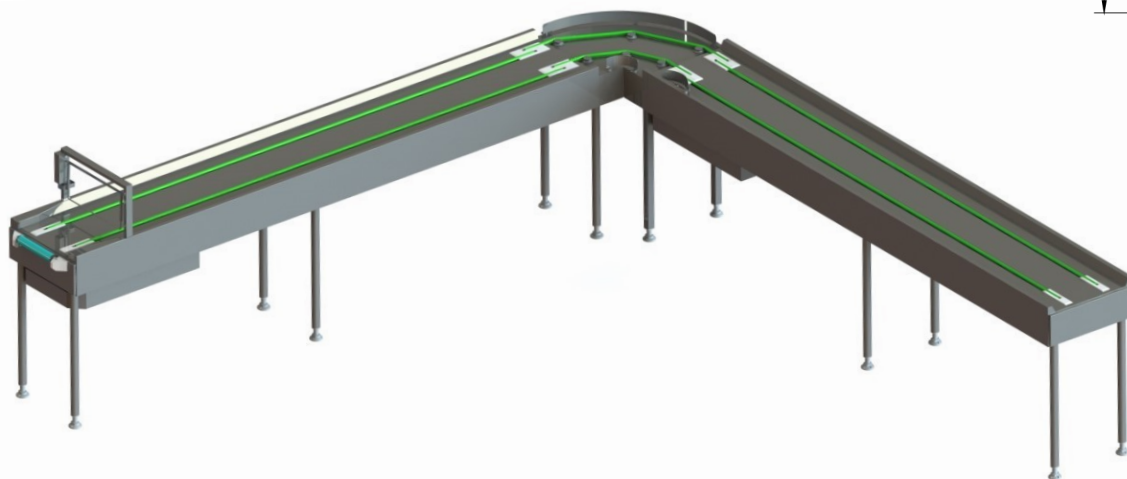




HYGIÈNE ALIMENTAIRE

www.marque-nf.com



The cord conveyor is used to transport meal trays from the dining room to the dishwashing area. It will adapt to most configurations thanks to its tailor-made construction.

STAINLESS STEEL FRAME
PULLEYS MOUNTED ON MOTOR SHAFT
CORD GUIDANCE OVER THE ENTIRE LENGTH

JUNCTION BETWEEN ELEMENTS MOUNTED ON FEET
MOTOR INTEGRATED IN THE FRAME
NF « HYGIÈNE ALIMENTAIRE » CERTIFIED

TECHNICAL DETAILS:

- One-piece frame in 304 stainless steel folded sheet, 12/10th thickness, polished grain 220.
- 304 stainless steel tubular base diameter 38, polished grain 220, with height adjustment by plastic jack from -10 to +70 mm.
- Motor 0,37 kW, 230/400 V, 50 Hz, three-phase + G, IP 55.
- Direct coupling of the 180mm diameter drive pulleys to the motor shaft.
- IP55 wall-mounted electrical box (with 24V or 48V remote control).
- Standard speed of 8m/min.
- 15mm diameter cords of food quality and cleanable.
- Load capacity of 10 kg/m
- Motorized standard curves with speed differential.

OPTIONS:

- End sliding roller for tray stacking on a trolley.
- End stop.
- Additional emergency stop.
- Mechanical height detector for remaining objects.
- Height detector for remaining objects by photoelectric cell.
- Step by step operation.
- Tailor-made curve.
- Speed variator.
- Square feet with a section of 35 x 35mm.
- Brackets for wall mounting.
- 15/10th thick stainless steel sheet.

OTHER EQUIPEMENT:

- Platonett - Motorised tray brush.
- Magnetic cutlery extractor.
- Noise reduction tunnel.
- Non-organic sorting station.

VALIDEX

692 Chemin de la Boisière

F-73420 DRUMETTAZ - CLARAFOND

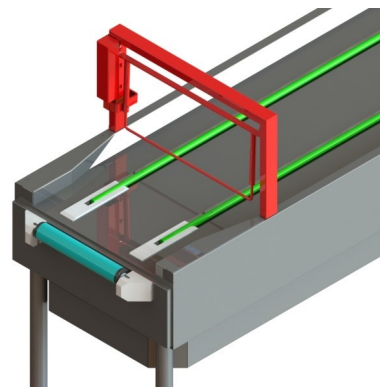
Phone: +33 479 880 851

E-mail: validex@validex.fr

www.validex.fr

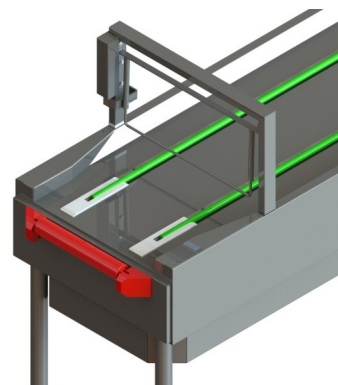
DETEKTOR VÝŠKY PRE ZOSTÁVAJÚCE PREDMETY

- Rám a kyvadlo z nehrdzavejúcej ocele 304, leštená zrnitosť 220.
- Detekčná bunka na ráme.
- Upevňovacie skrutky nie sú viditeľné.
- Zátka pre kyvadlo.
- Nastavenie výšky 40 mm.
- Upevnenie minimálne 300 mm od konca dopravníka.



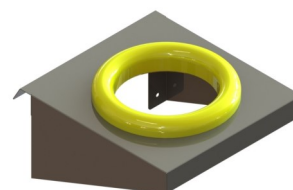
KONCOVÝ POSUVNÝ VALEC

- HDPE držiak.
- Skrutky z nehrdzavejúcej ocele.
- Odnímateľný valček z PVC s nerezovou oskou a ložiskami.
- Skrutka pre nastavenie výšky valčeka.



BLOK NA ČISTENIE ODPADU

- Jednodielna konštrukcia z nerezového falcovaného plechu 304, hrúbka 15/10, leštená zrnitosť 220.
- Farebný a nárazuvzdorný blok na čistenie odpadu z riadu.
- Rozmery: 300 x 300 mm.



TRIEDIACI STÔL

- Jednodielna konštrukcia z nerezového falcovaného plechu 304, hrúbka 15/10, leštená zrnitosť 220.
- Farebný a nárazuvzdorný blok na čistenie odpadu z riadu.
- Rozmery: vyrobené na mieru dĺžka x šírka 300 mm.

